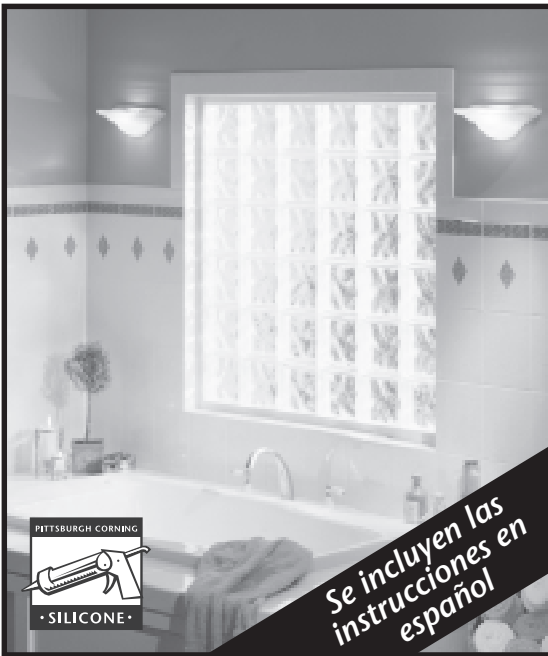


## PITTSBURGH CORNING

### KWiK'N EZ® Rigid Track Silicone System for Thinline™ Series Glass Block

## ASSEMBLY INSTRUCTIONS




**PITTSBURGH  
CORNING**  
 GLASS BLOCK®  
[www.pittsburghcorning.com](http://www.pittsburghcorning.com)

### Introduction

The KWiK 'N EZ® Rigid Track Silicone System is the easiest way to install Pittsburgh Corning **Thinline™ Series Glass Block**. No special skills or tools are required to create the project of your dreams. The result is an all-glass, crystal-like appearance.

**Rigid Track Kits** provide enough selected components to install sixteen 8" x 8" Thinline™ Series Glass Block. Each kit contains:

- 3 — 36" pieces of Horizontal Rigid Track
- 12 — 7 3/4" Coped Rigid Track Vertical Spacers
- 1 — Tube of Glass Block Sealant
- 1 — Finishing Tool

**Rigid Track Spacer** (36") is available to supplement the kits. Spacer can be cut and used as **both** horizontal and vertical spacers.

**Rigid Track Vertical Spacer Packs** contain five (5) pieces of 7 3/4" Rigid Track. Each piece is precut to fit as a vertical spacer between 8" high Thinline™ Glass Blocks.

Note: Pittsburgh Corning offers an easy to follow **Glass Block Installation Video**. This video is available for purchase where glass block is sold or can be ordered with your VISA or MasterCard by phoning **1-800-624-2120**. Looking for glass block ideas? "A Touch of Glass" idea book can also be ordered by calling the above 800 number.

## 1. General Information

- Designed for use with Pittsburgh Corning **Thinline™ Series** (3" thick) Glass Block only.
- Not for use in constructing curved glass block walls.
- Interior panels no larger than 85 sq. ft. framed on at least 3 sides with unfinished side no larger than 6 feet. Exterior panels must be no larger than 25 sq. ft. and framed on all four sides.
- All glass block panels are non-load bearing, so adequate provisions must be made for support of construction around the panel.

## 2. Tools Required

- Screwdriver, electric drill, fine tooth saw, caulking gun, utility knife, rubber mallet, tape measure and a two foot level.

## 3. Materials Required

- The Pittsburgh Corning Glass Block Project Planner is available where glass block is sold or on our website at [www.pittsburghcorning.com](http://www.pittsburghcorning.com). This is a step by step guide you can use to determine the exact amount of materials required for your special project.

### Typical materials required include:

- Pittsburgh Corning Thinline™ Series Glass Block.
- KWIK'N EZ® Rigid Track for Thinline™ Series glass block available in kit and bulk form.
- Pittsburgh Corning Perimeter Channels available in 48" lengths. They are not included in the kit and must be purchased separately.

- Pittsburgh Corning Glass Block Sealant.
- #6 x 1" flat head galvanized screws (approx. 3 per lineal foot of perimeter channel).



## 4. Prepare the Opening

- Prepare the rough opening where the panel will be located. Make opening plumb and square to dimensions shown in Table 1.

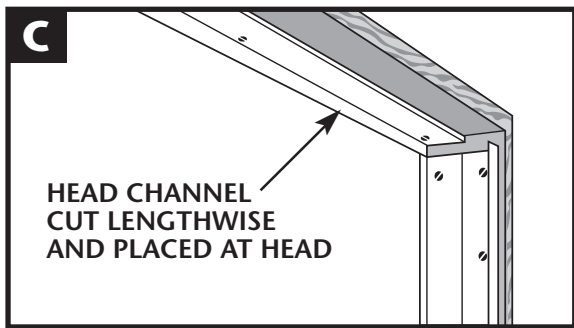
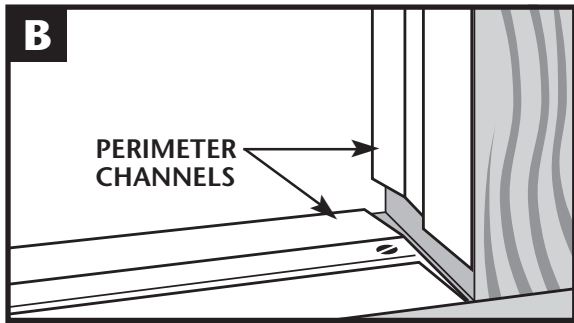
TABLE 1. Thinline™ Series

	Rough Opening Size (Inches)					
	Rough Opening Width			Rough Opening Height		
Number of Blocks	4" Wide Block	6" Wide Block	8" Wide Block	4" High Block	6" High Block	8" High Block
<b>1</b>	4 1/8	6 1/8	8 1/8	4 3/8	6 3/8	8 1/4
<b>2</b>	8	12	16	8 1/4	12 1/4	16 1/8
<b>3</b>	11 7/8	17 7/8	23 7/8	12 1/8	18 1/8	24
<b>4</b>	15 3/4	23 3/4	31 3/4	16	24	31 7/8
<b>5</b>	19 5/8	29 5/8	39 5/8	19 7/8	29 7/8	39 3/4
<b>6</b>	23 1/2	35 1/2	47 1/2	23 3/4	35 3/4	47 5/8
<b>7</b>	27 3/8	41 3/8	55 3/8	27 5/8	41 5/8	55 1/2
<b>8</b>	31 1/4	47 1/4	63 1/4	31 1/2	47 1/2	63 3/8
<b>9</b>	35 1/8	53 1/8	71 1/8	35 3/8	53 3/8	71 1/4
<b>10</b>	39	59	79	39 1/4	59 1/4	79 1/8
<b>11</b>	42 7/8	64 7/8	86 7/8	43 1/8	65 1/8	87
<b>12</b>	46 3/4	70 3/4	94 3/4	47	71	94 7/8

*Note: Blocks are available in 4" x 8", 6" x 6", 6" x 8", and 8" x 8" sizes*

- Cut the perimeter channels to length to fit the bottom, top, and both sides of the opening (Illus. B). These may be cut square or mitered. Screw channels to the bottom and two sides of opening using the holes provided. Use two screws to fasten each end. If you cut off the predrilled holes when trimming the length, simply drill new ones at each end of the cut piece. Paint the screw heads white to reduce visibility.
- So that the last row of Pittsburgh Corning Glass Block units can be installed easily, cut the top perimeter channel in half lengthwise with a utility knife. Install half of the channel at the top of opening (Illus. C).

The information contained herein is accurate and reliable to the best of our knowledge. But, because Pittsburgh Corning Corporation has no control over installation workmanship, accessory materials or conditions of application, NO EXPRESS OR IMPLIED WARRANTY OF ANY KIND, INCLUDING THOSE OF MERCHANTABILITY OR FITNESS FOR A PARTICULAR PURPOSE, IS MADE as to the performance of an installation containing Pittsburgh Corning products. In no event shall Pittsburgh Corning be liable for any damages arising because of product failure, whether incidental, special, consequential or punitive, regardless of the theory of liability upon which any such damages are claimed. Pittsburgh Corning Corporation provides written warranties for many of its products, and such warranties take precedence over the statements contained herein.



**PITTSBURGH CORNING**  
**GLASS BLOCK®**  
Pittsburgh Corning Corporation  
800 Presque Isle Drive  
Pittsburgh, PA 15239  
**1-800-624-2120**  
[www.pittsburghcorning.com](http://www.pittsburghcorning.com)

KWiK'N EZ® Rigid Track Silicone System  
U.S. Patent No. 4,986,048

All trademarks and registered trademarks in this brochure are owned and protected by Pittsburgh Corning Corporation, Pittsburgh, PA 15239

© 2003 Pittsburgh Corning Corporation  
Printed in U.S.A.

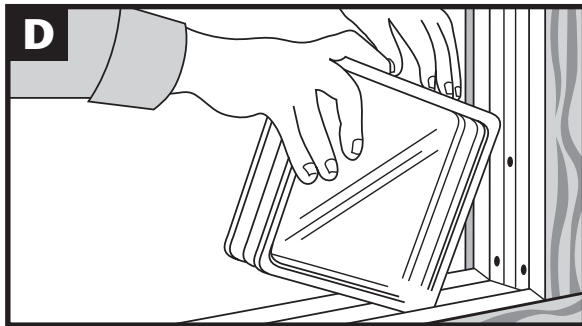
GB-226 100M 1/03

## 5. Cut Rigid Track Spacers to Length.

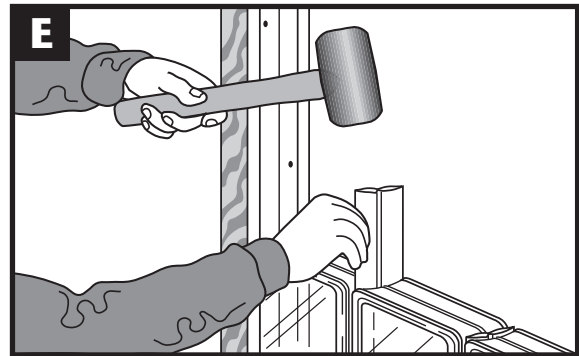
- Cut the horizontal Rigid Track Spacers for each course to fit inside the vertical perimeter channels. Save the short pieces.
- Vertical spacers are supplied precut to length for use with 8" blocks. If the blocks you are using are less than eight inches, cut spacers to size (either straight cut or cope cut as desired).

## 6. Assemble the Panel

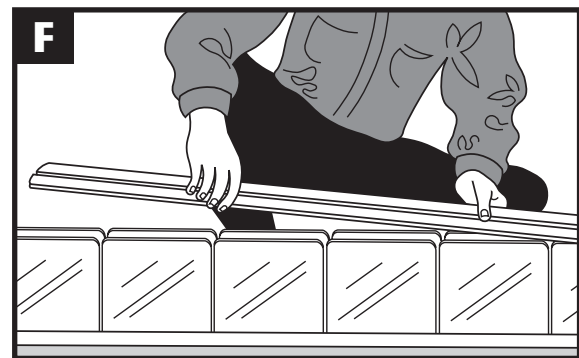
- Place two glass blocks into the sill channel. Slide one block into the right jamb, and one into the left jamb. Install the remaining blocks in this row (Illus. D).



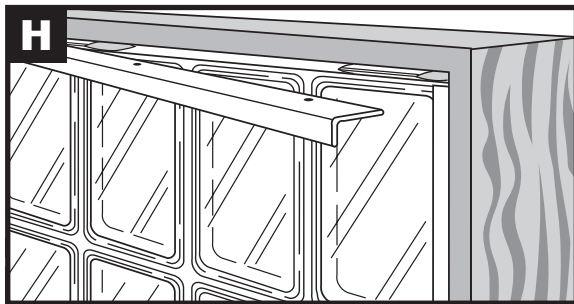
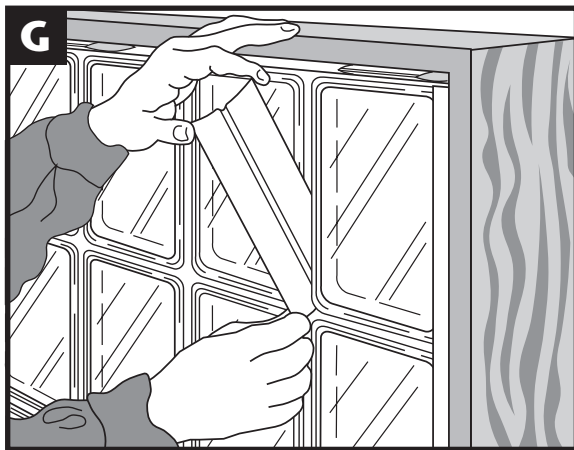
- Install vertical spacers between each of the glass blocks. You may need the rubber mallet to tap the last vertical spacer into position. Inspect each joint for alignment of the spacers (Illus. E).
- Place the horizontal spacer on top of the first row of glass blocks. If it's necessary to have a joint in the end of the horizontal spacer, cut the spacers so that the joint is at least two inches away from a vertical glass block joint (Illus. F).



- Place two blocks on top of the horizontal spacer and proceed as you did on the first row.
- This row is installed just as you did the first. Repeat this same procedure for all rows, except the top row. With this row, the only difference is that the spacers are slid in from the front of the glass block joints. The last spacer may need to be tapped in with a rubber mallet (Illus.G).

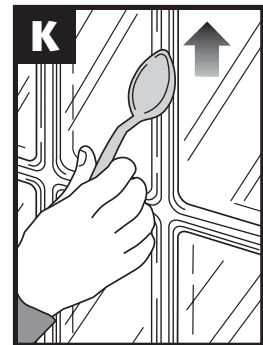
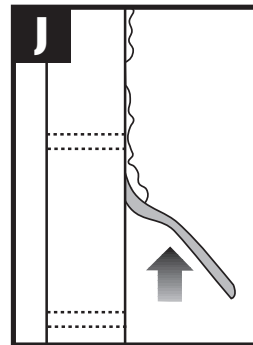
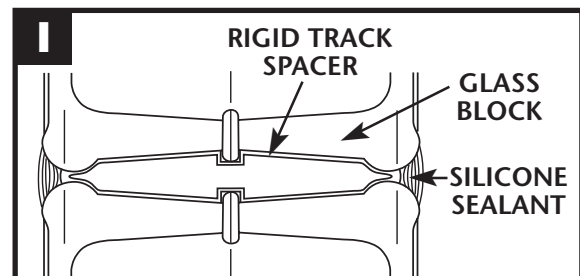


- Now that the last row of blocks is installed, slide pieces cut from the horizontal spacer into the gap between top of the blocks and the half-channel previously installed. Then slide the other half of the channel into the opening wedging it between the spacer and the top of the rough opening (Illus.H).



## 7. Seal The Joints With Pittsburgh Corning Glass Block Sealant

- Follow APPLICATION instructions on the glass block sealant tube to open the tube. The sealant skins over in 15-17 minutes. Don't seal more joints than can be tooled in approximately 17 minutes. Practice the sealing technique before starting.
- Seal the horizontal joints first, pulling the tube through the joint. Slightly over fill the joint. See illustration (Illus. I).
- Use the spoon-shaped finishing tool and push it over the joints at an angle to collect the excess sealant and seal the joint. Periodically wipe the sealant from the joint finishing tool bowl (Illus. J & K).



- Remove any excess sealant from the block faces with the side of your finishing tool.
- Use the same method to fill the vertical joints. Carefully work the joint intersections to create a smooth finish. Repeat this procedure to seal the opposite side of the panel.
- Do not use the back of the finishing tool to smooth joints. This will only smear the silicone.
- Allow the sealant to cure 48 hours before putting any stress on the panel.
- For panels exposed to water, run a bead of sealant between the perimeter channels and the face of the blocks. Also, between the perimeter channels and the framing. Use the joint finishing tool to seal these joints. Remove excess sealant.
- The piece of perimeter channel along the top (which was wedged in place earlier) must always have a bead of sealant applied between the channel and the frame.

## Finishing/Clean Up

1. After 48-hours remove any excess sealant from the glass block faces with a razor blade.
2. Clean channel surfaces and glass block faces with glass cleaner or soapy water. Do not use abrasive cleaners or steel wool which may damage the glass surface and silicone.
3. Install surrounding wood or other trim, if desired.

## Maintenance

An important part of the functional beauty of Pittsburgh Corning Glass Block products is that they are virtually maintenance free! There's nothing to rot, rust, peel or paint. All that is needed is an occasional wiping with a damp, soft cloth on interior panels or a hosing on exterior panels. With minimal attention, your Pittsburgh Corning Glass Block panel will remain sparkling and beautiful for years!

**Caution:** Shower applications—avoid cleaning procedures which may damage the joint sealant and cause water leakage through the joint.

## If You Need Assistance

We hope these instructions are clear and answer your questions about the installation of basic, straight Pittsburgh Corning Glass Block panels with the KWIK'N EZ® Rigid Track Thinline™ Series Silicone System. A "How-To Install" video is available for purchase at your Pittsburgh Corning Glass Block Distributor or local home center or by calling **1-800-624-2120**.